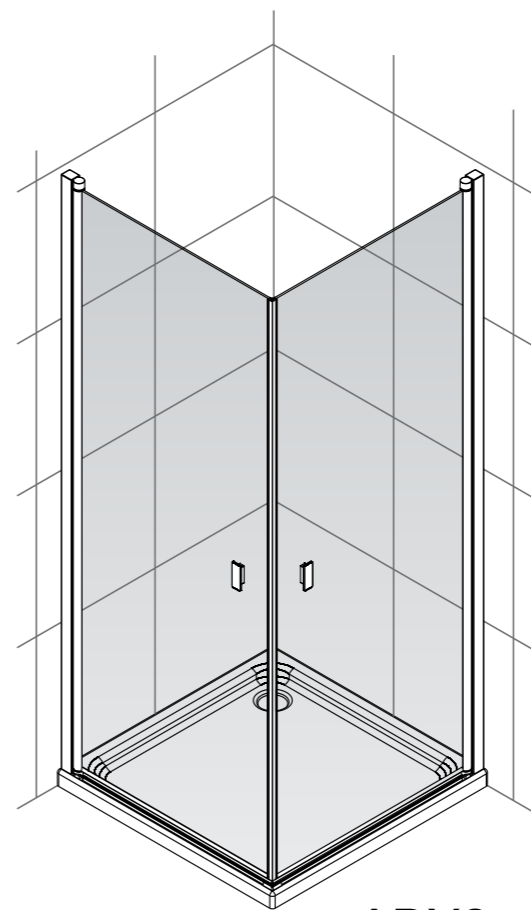
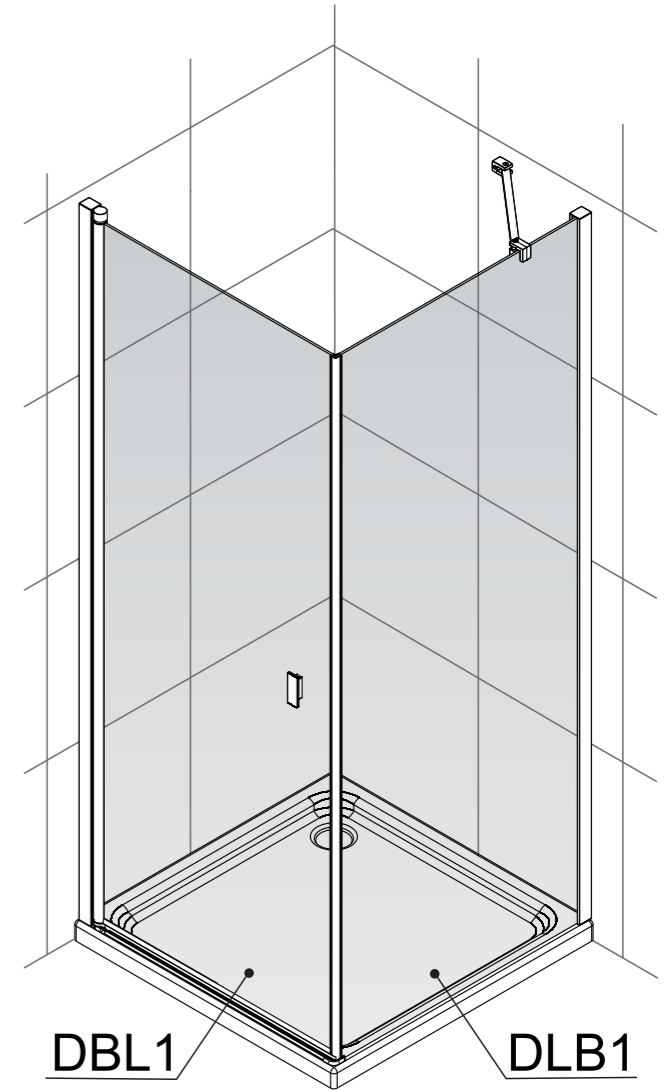


# TECHNIC

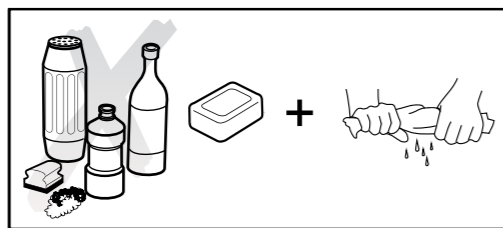


ABX2



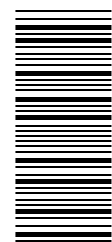
DBL1

DLB1



24H

V8



5430112

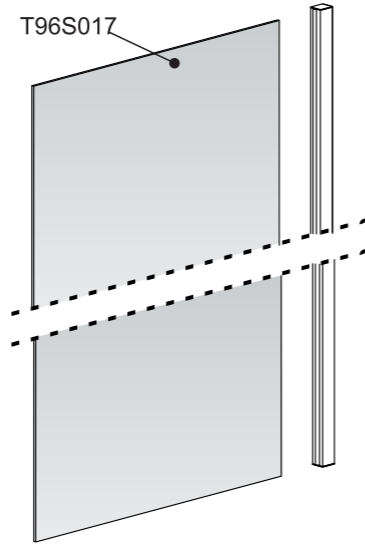
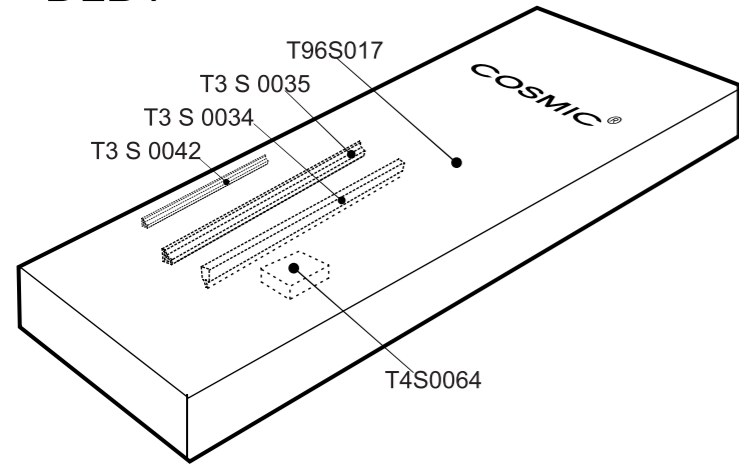
COSMIC

INDUSTRIAS COSMIC, S.A.U.  
 Cerdanya, 2  
 Pol. Ind. La Borda  
 P.O. Box 184  
 08140 Caldes de Montbui Barcelona  
 Central Office TEL +34 938 654 277 FAX +34 938 654 264

info@icosmic.com  
 www.icosmic.com

COSMIC

**DLB1**



**T4S0064**

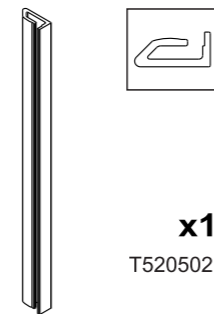
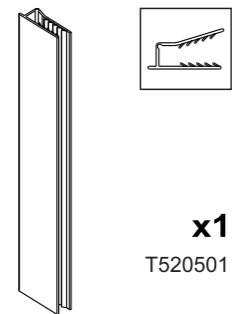
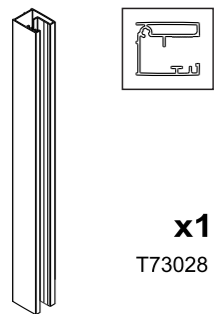
T2 00002 x4 Ø6 x4 Ø9 x4

T2 00032 x1 x1

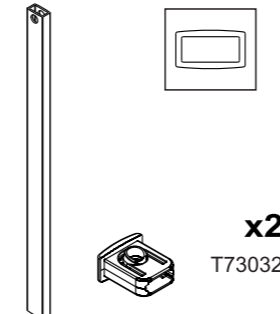
T2 00033 x2 x1 x1 x1 x1 x1 x1 x1 x1

T2 00038 x2 x2

**T3S0042**

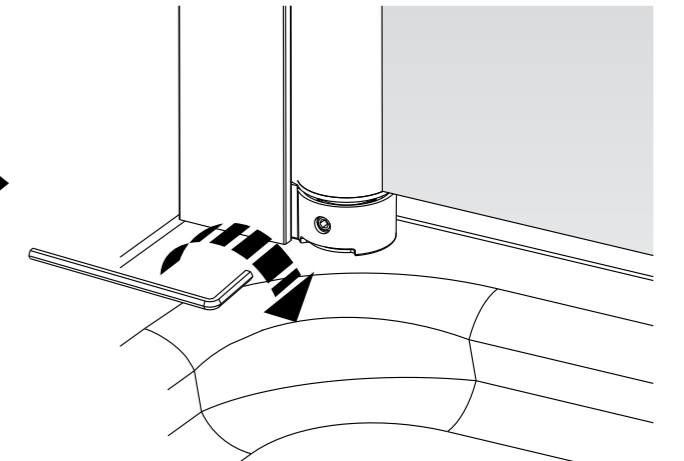
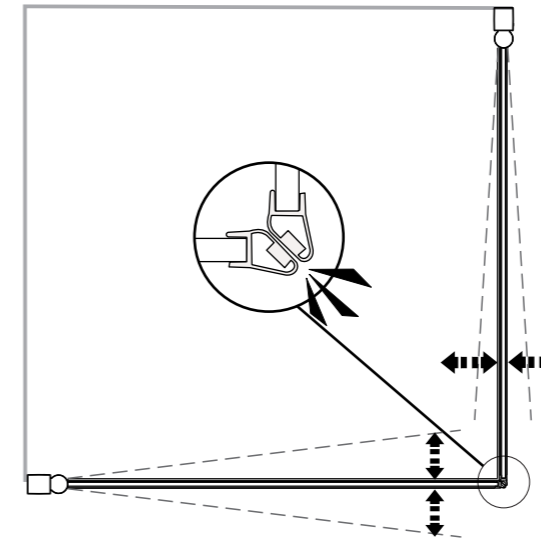
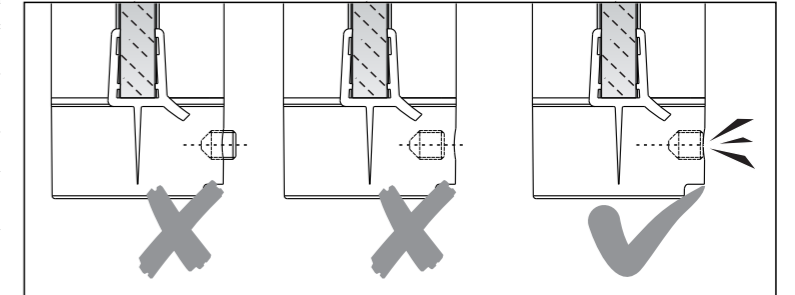
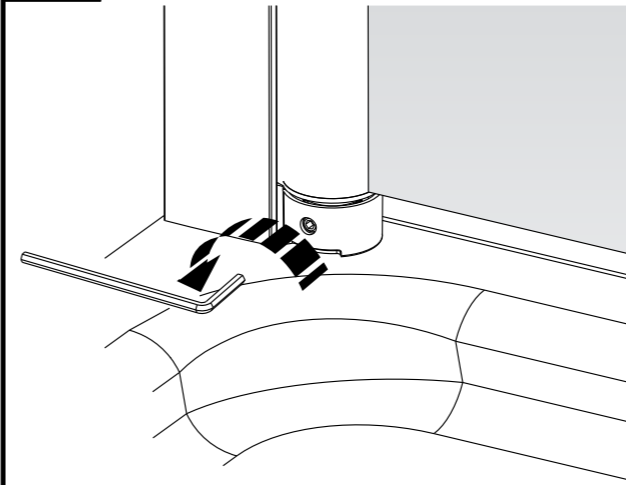
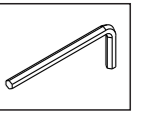


**T3S0035**



**29**

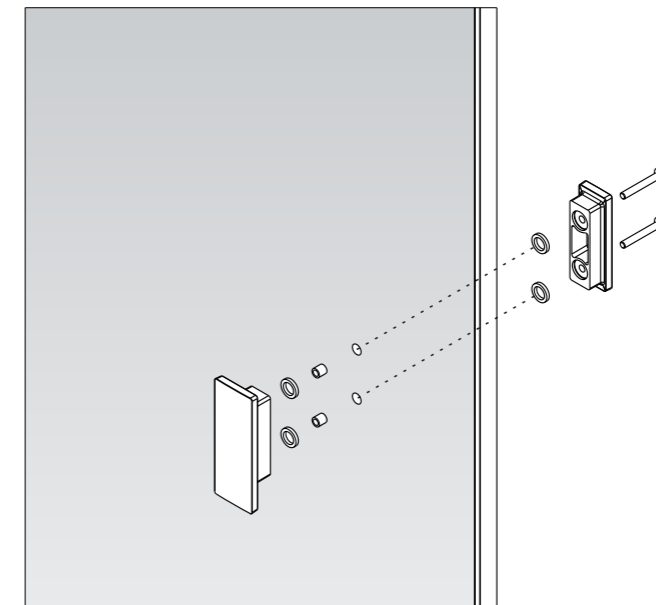
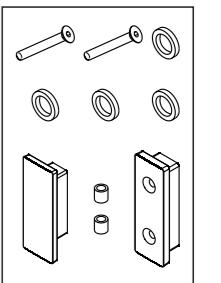
T2 00031



**30**

**X2**

T2 00031



27

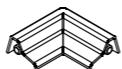
T2 00030



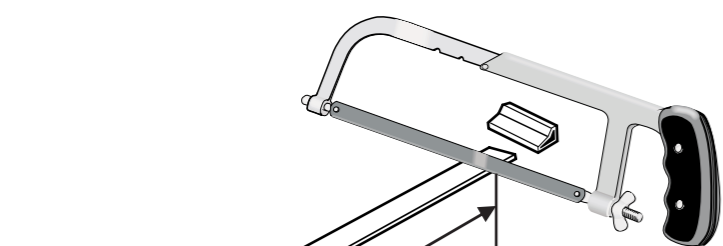
T5100166



T5100165



T5100184



A+3 mm

T5100166

T5100165

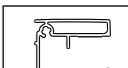
T5100184

1

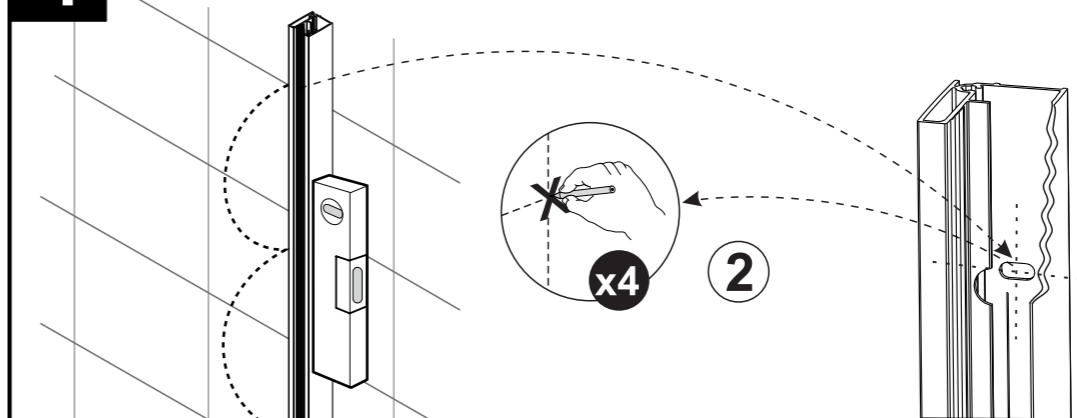
T2 00038



T3S0042



T73028



x4

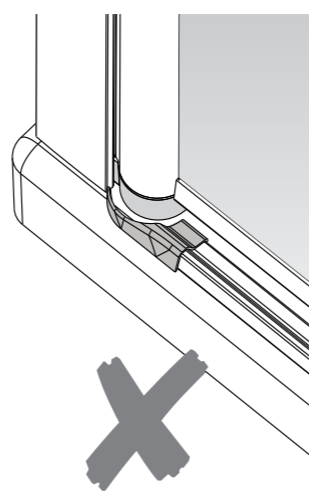
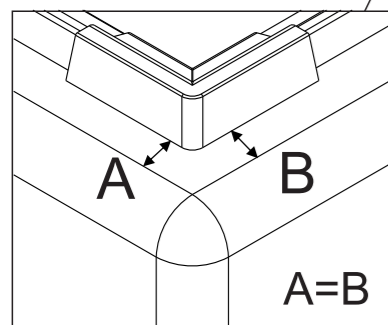
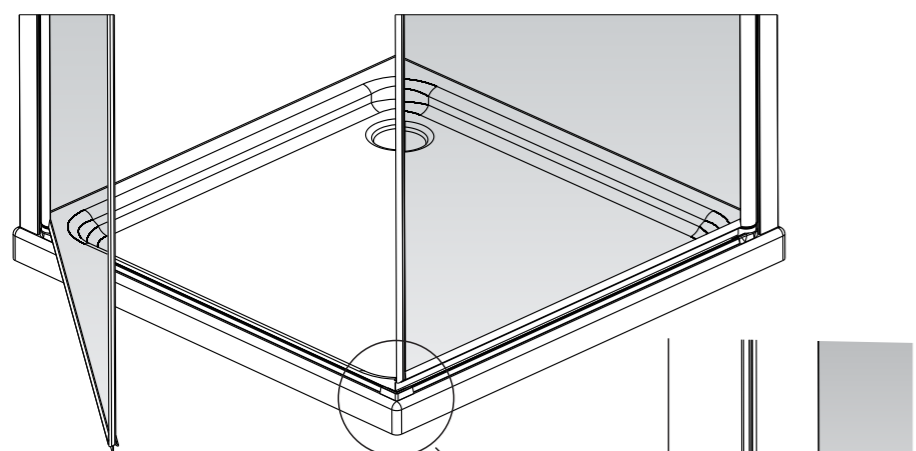
2

1

min 2mm

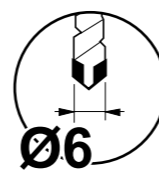
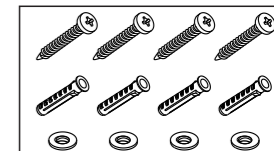


28



2

T2 00002



Ø6

x4

x4

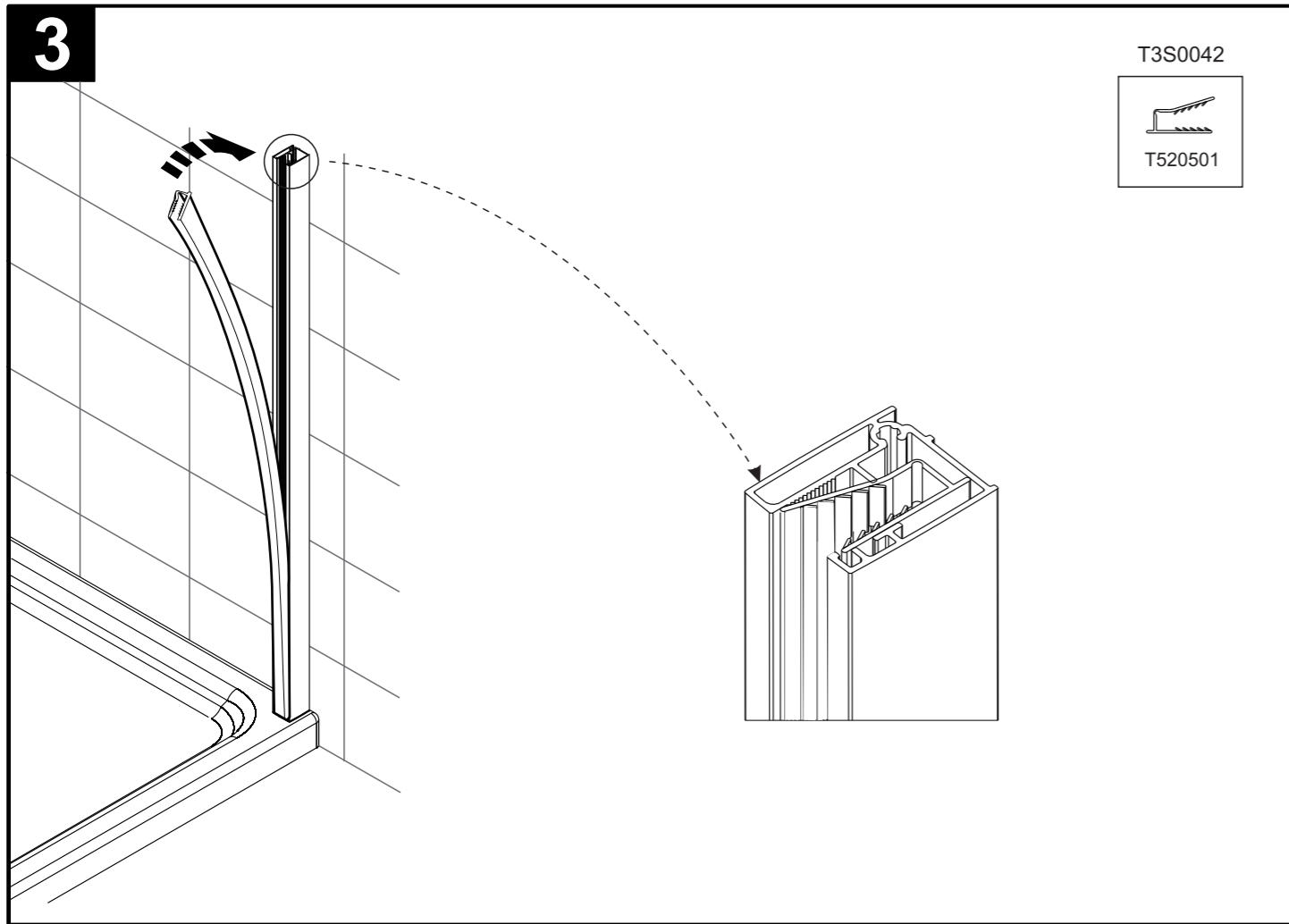
2



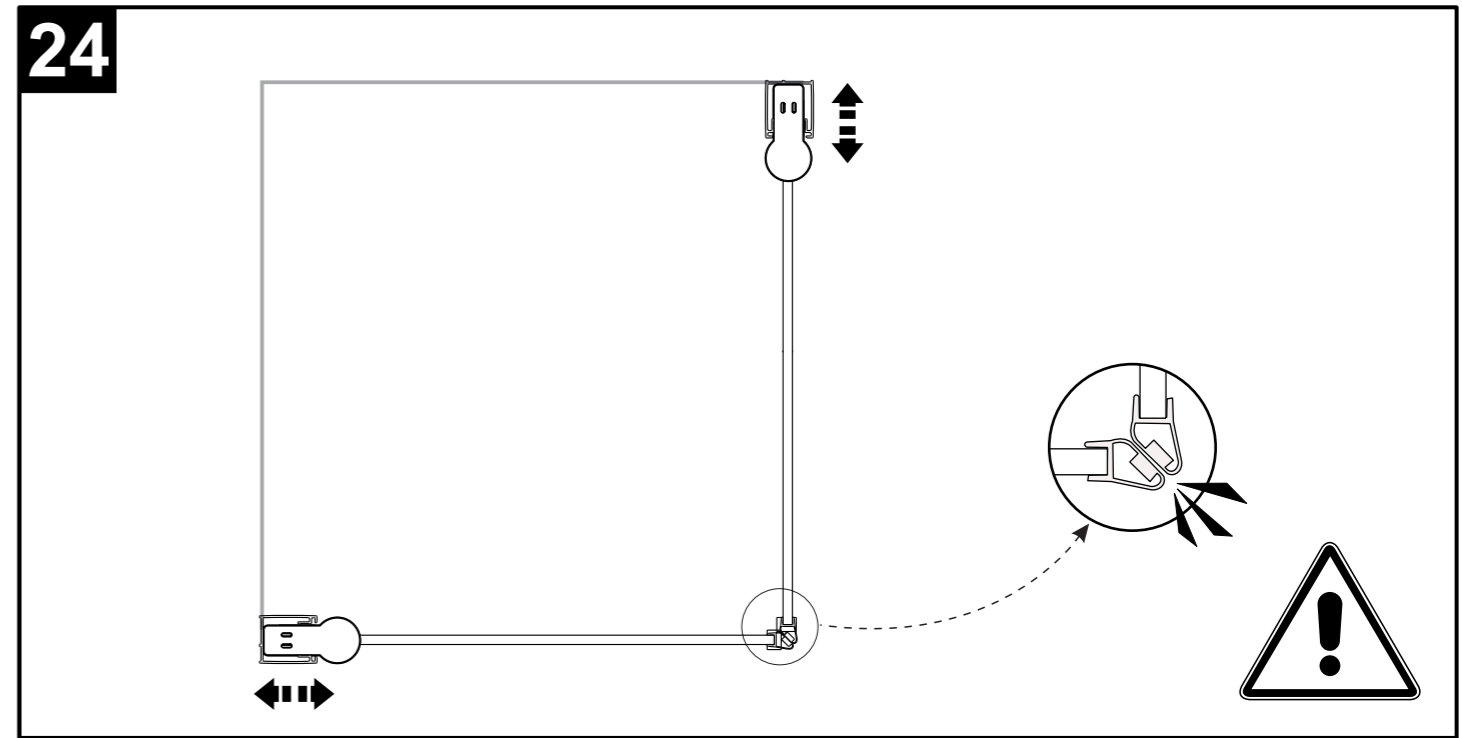
x4

1

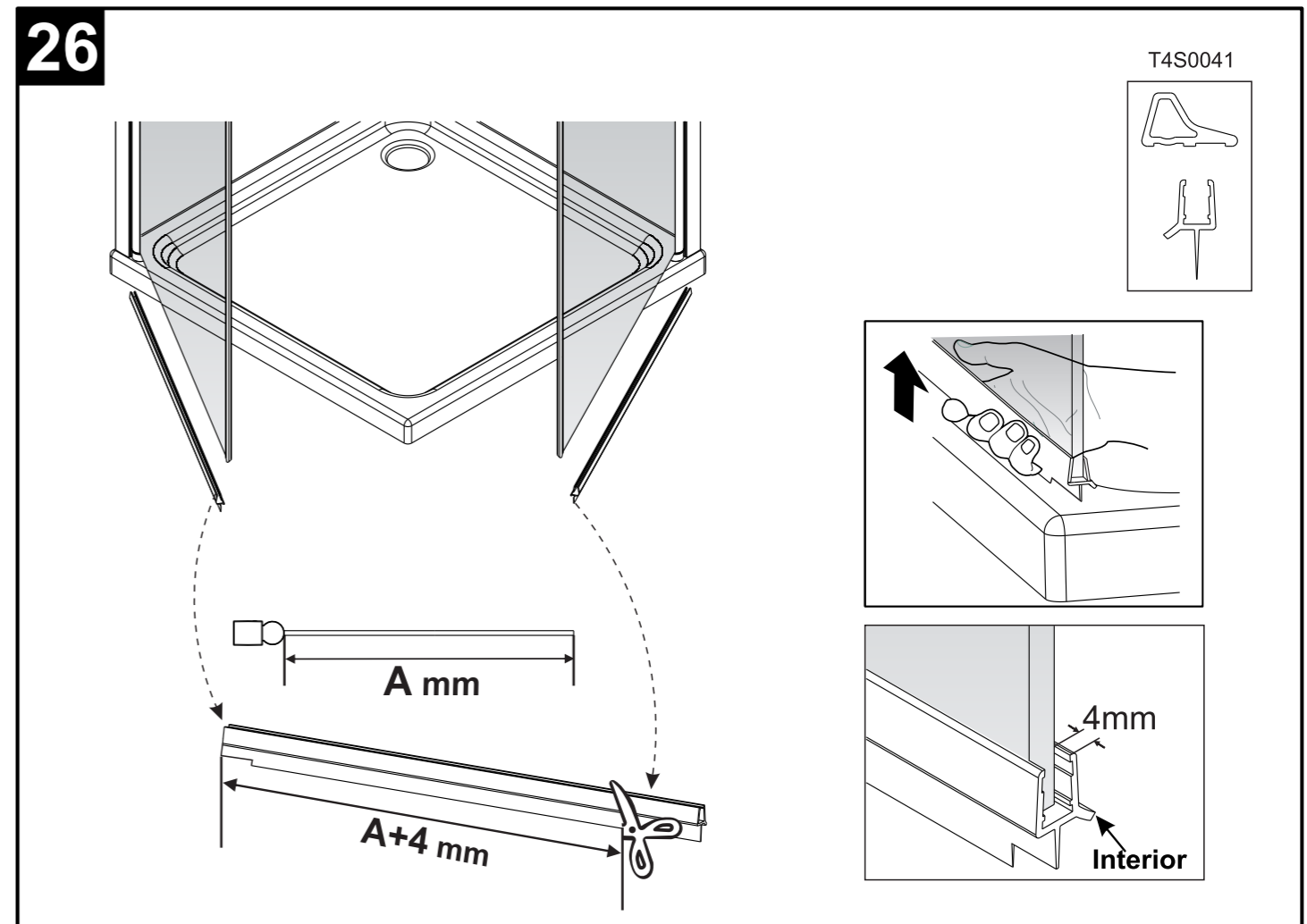
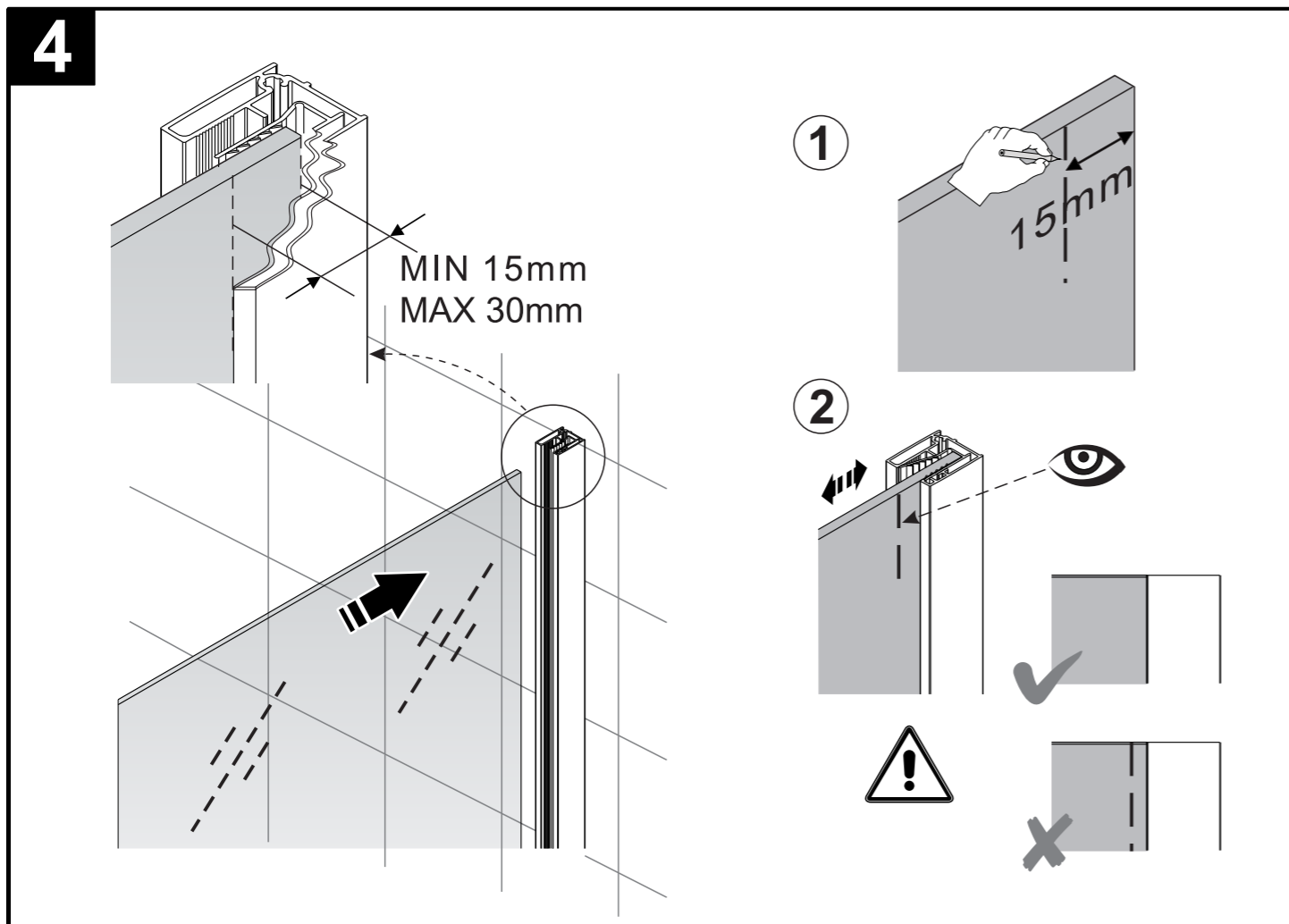




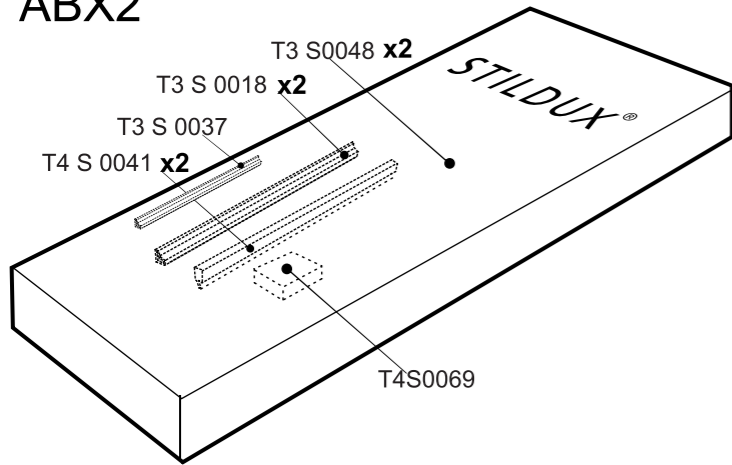
**23** = ( **8** + **9** + **10** + **11** + **12** ) × 2



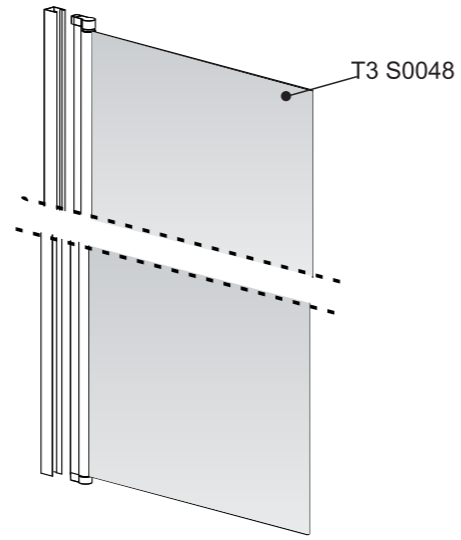
**25** = ( **14** + **15** ) × 2



ABX2



X2

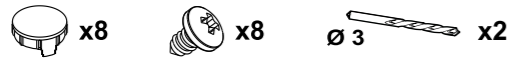


T4S0069

T2 00002



T2 00027



T2 00028



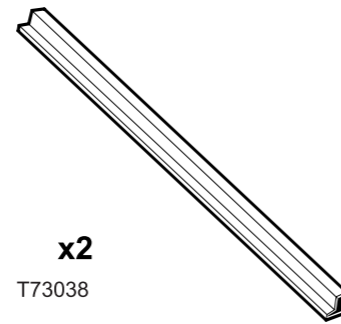
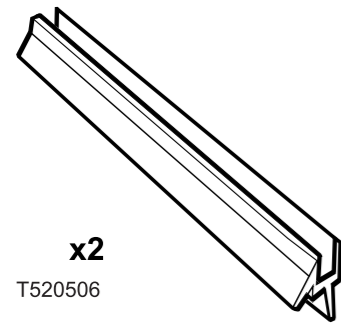
T2 00030



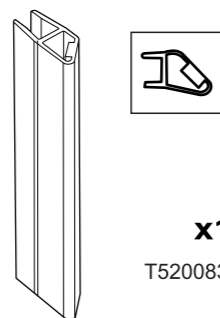
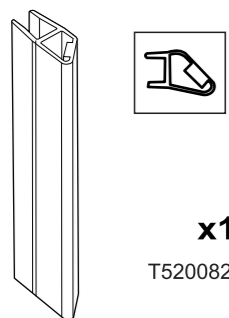
T2 00031



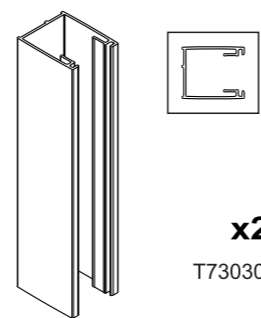
T4S0041



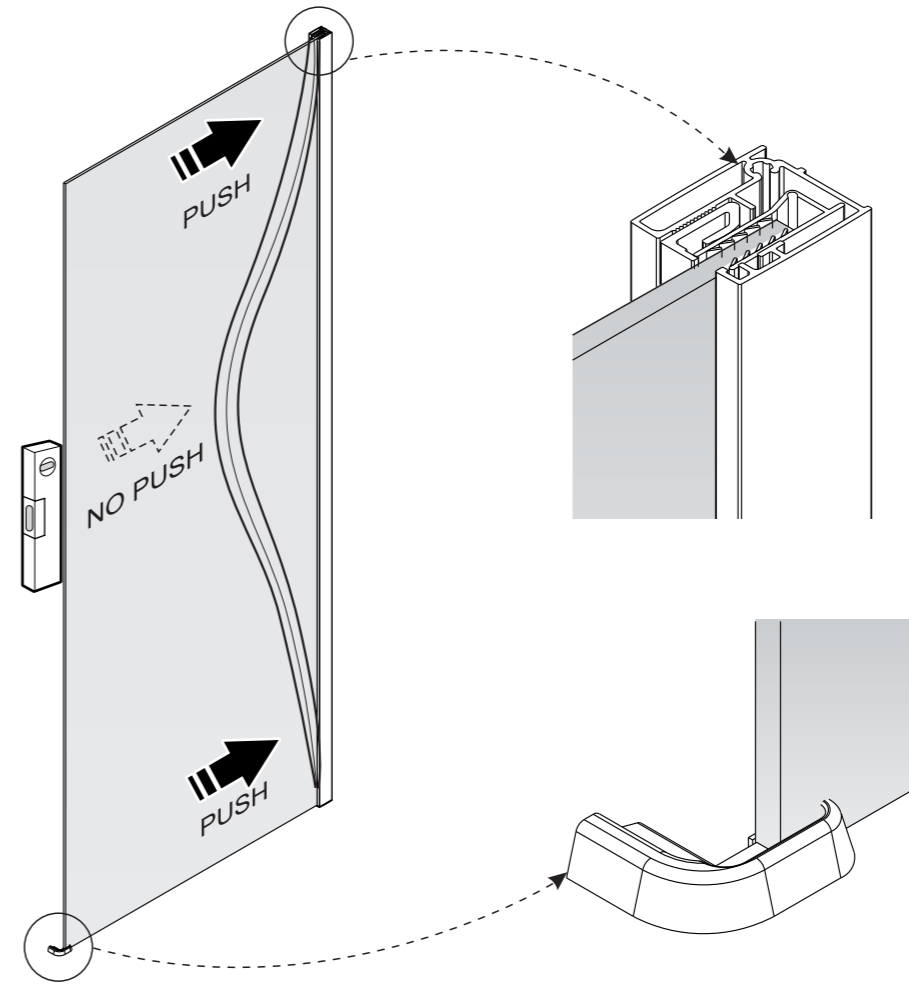
T3S0037



T3S0018



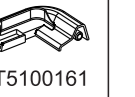
5



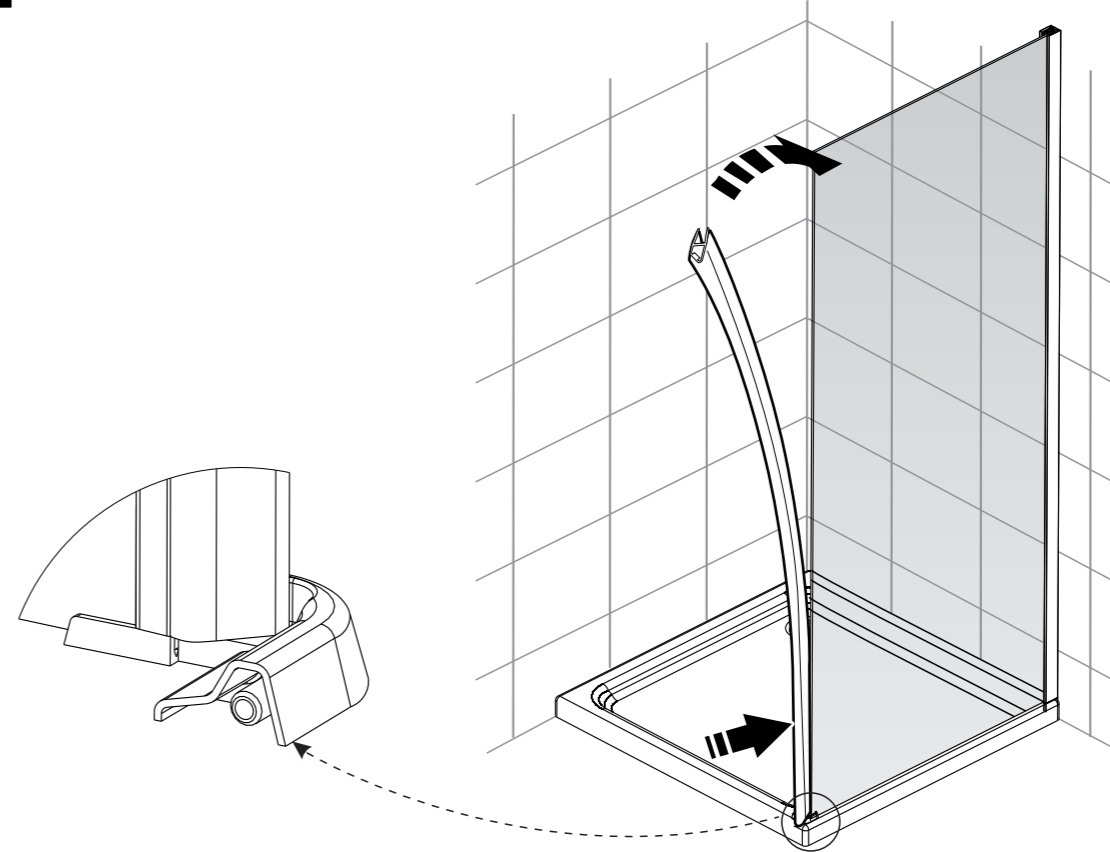
T3S0042



T2 00032



6

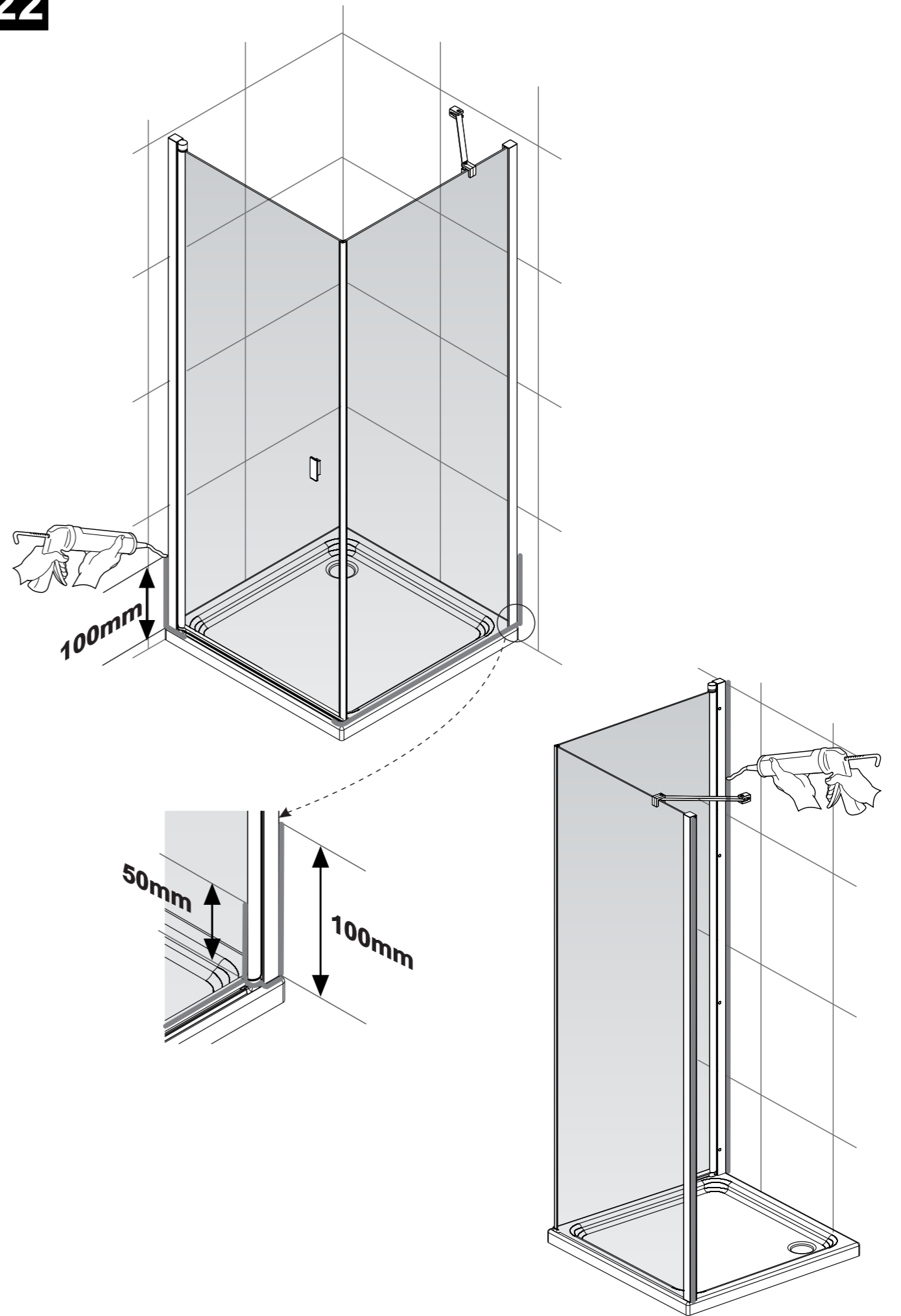
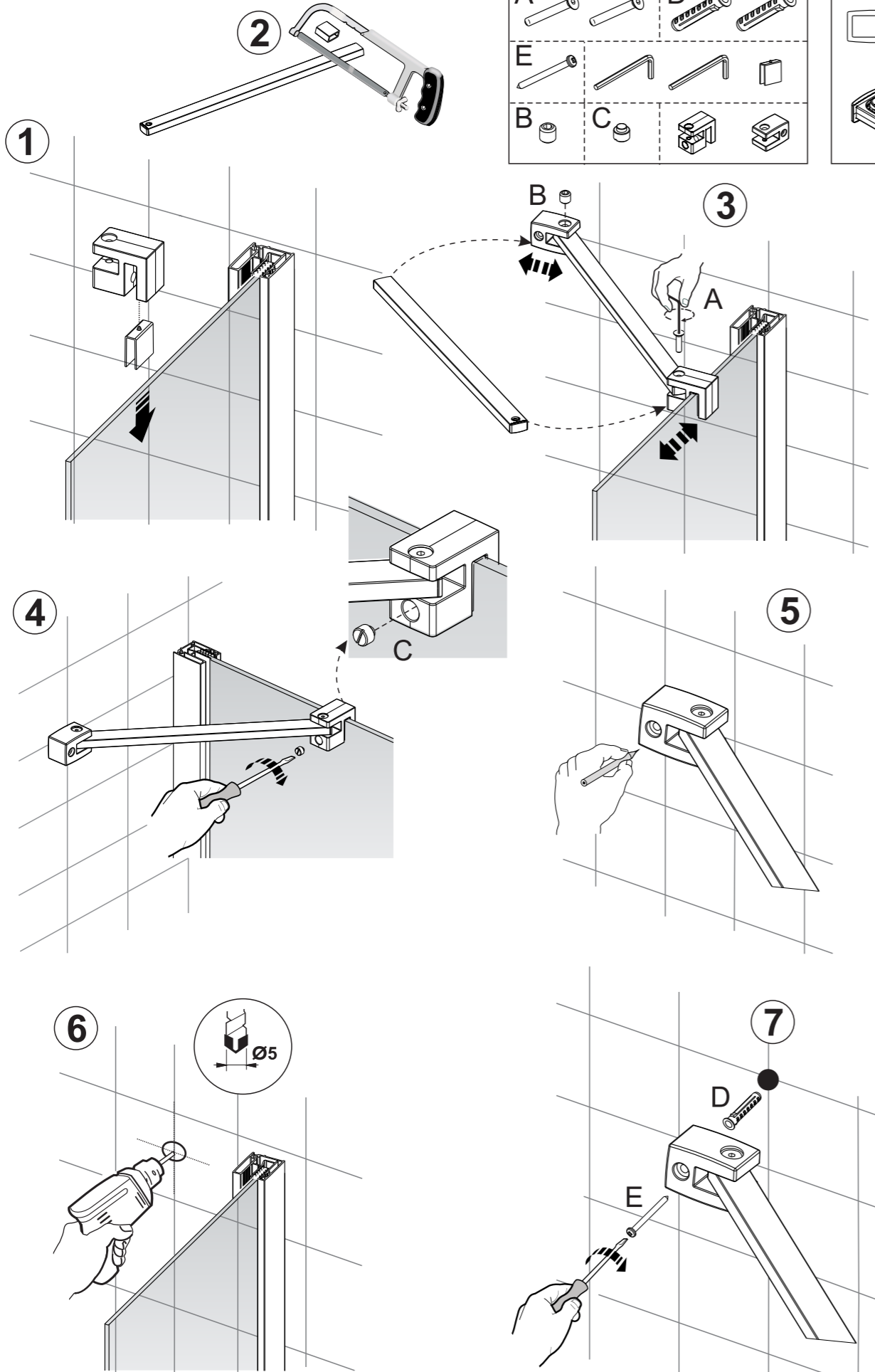
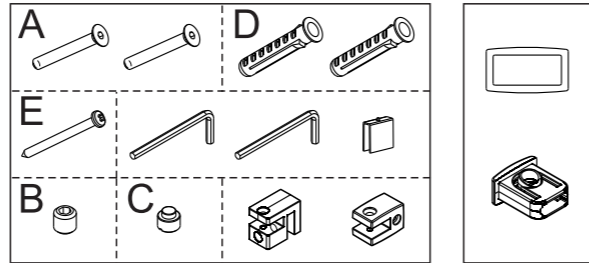


T3S0028

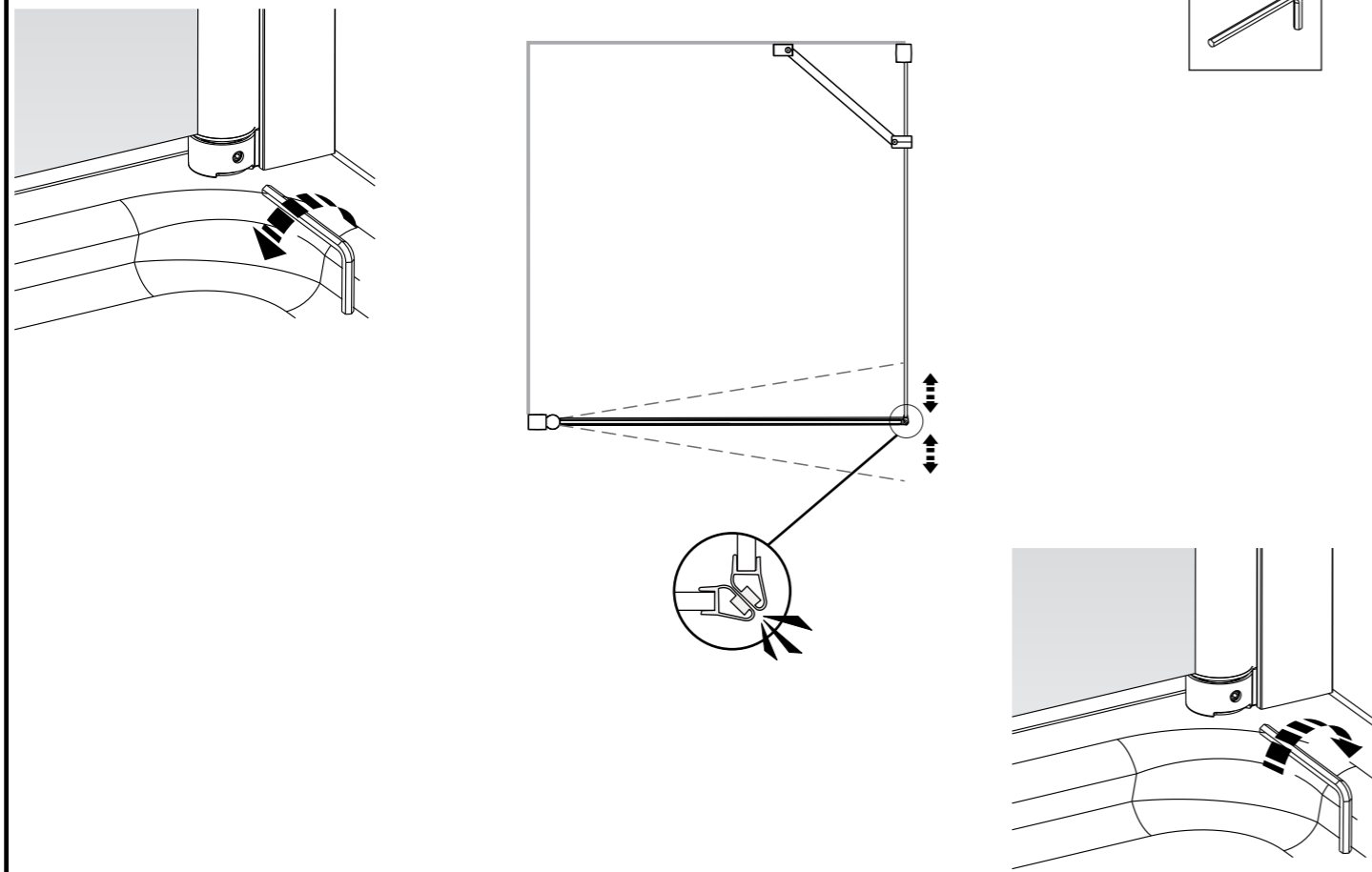


T2 00033

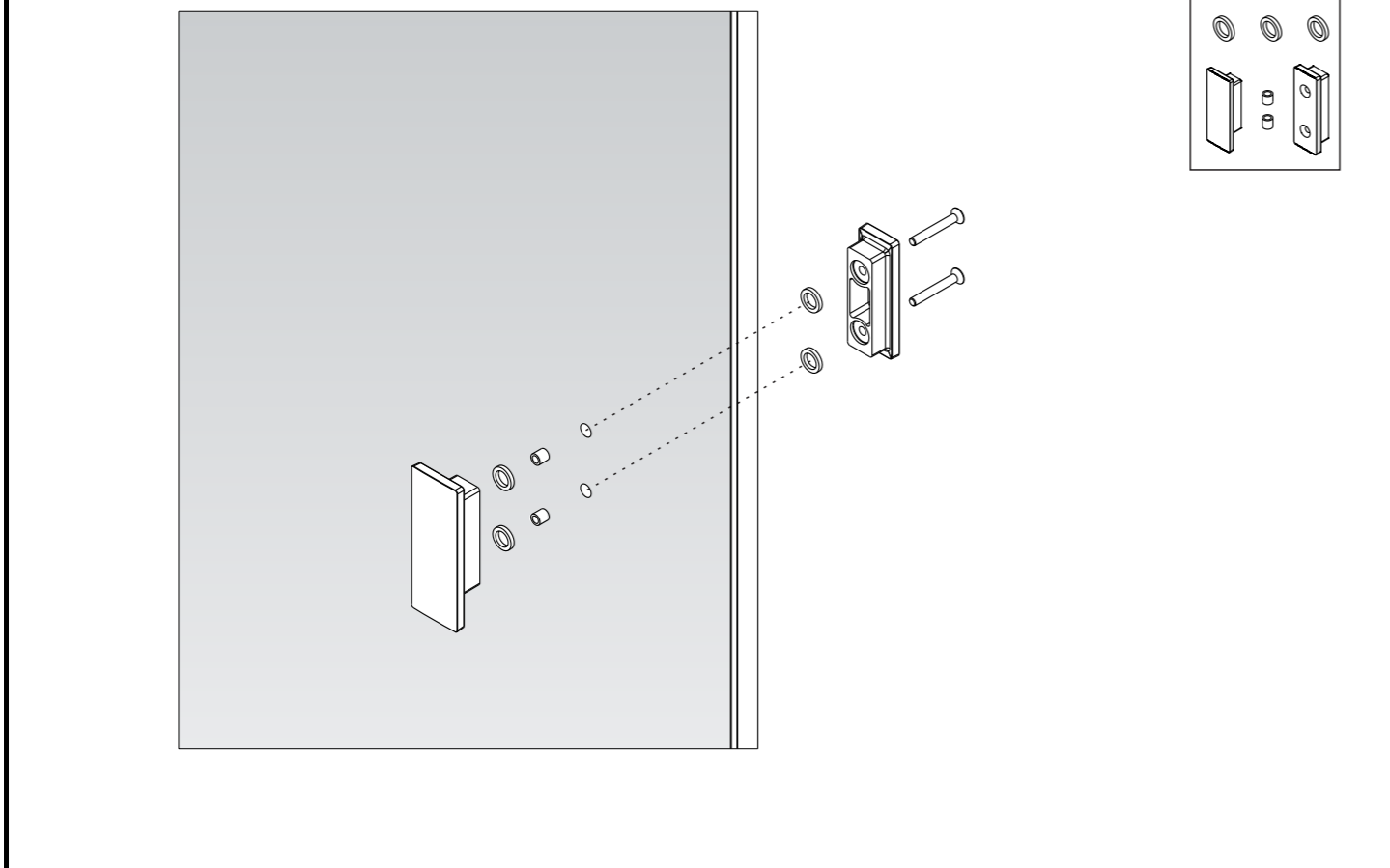
T3S0035



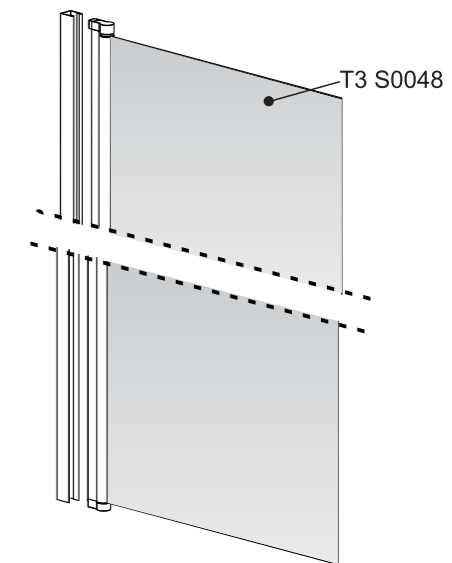
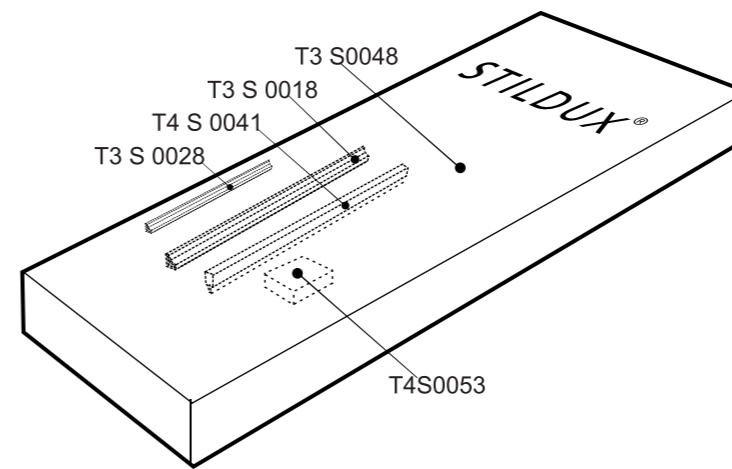
20



21



DBL1

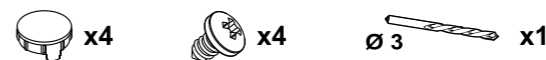


T4S0053

T2 00002



T2 00027



T2 00028



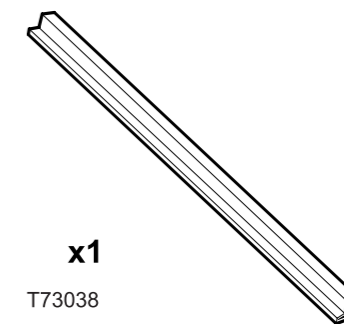
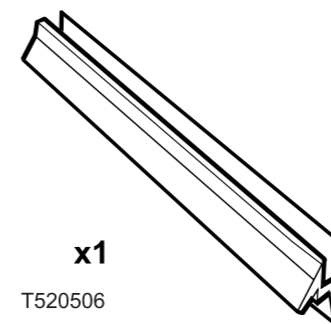
T2 00030



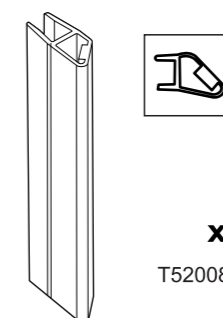
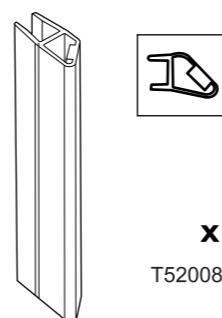
T2 00031



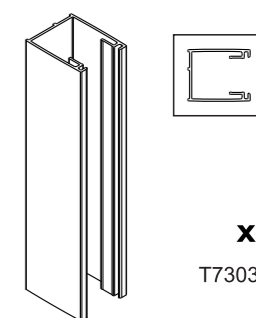
T4S0041

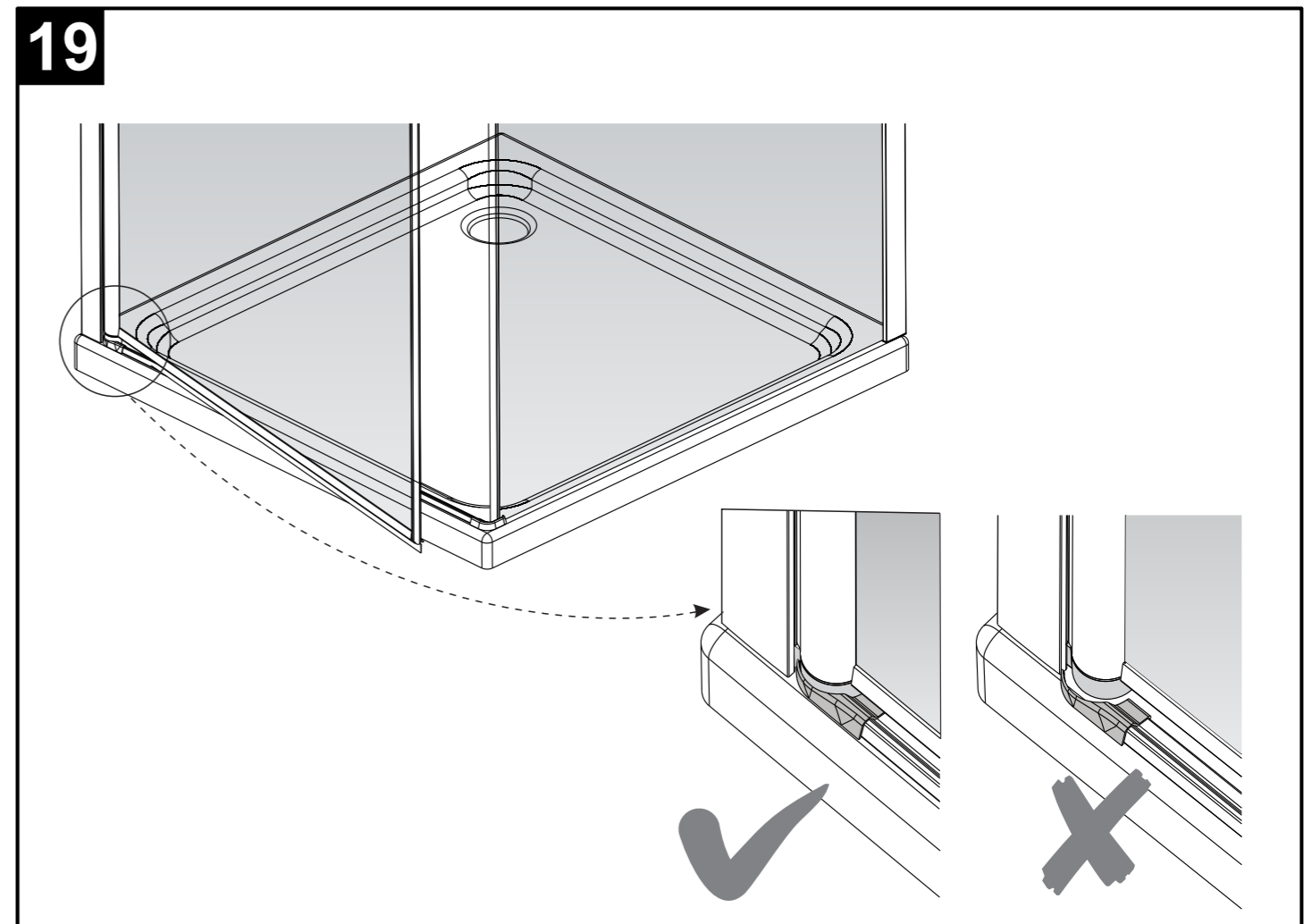
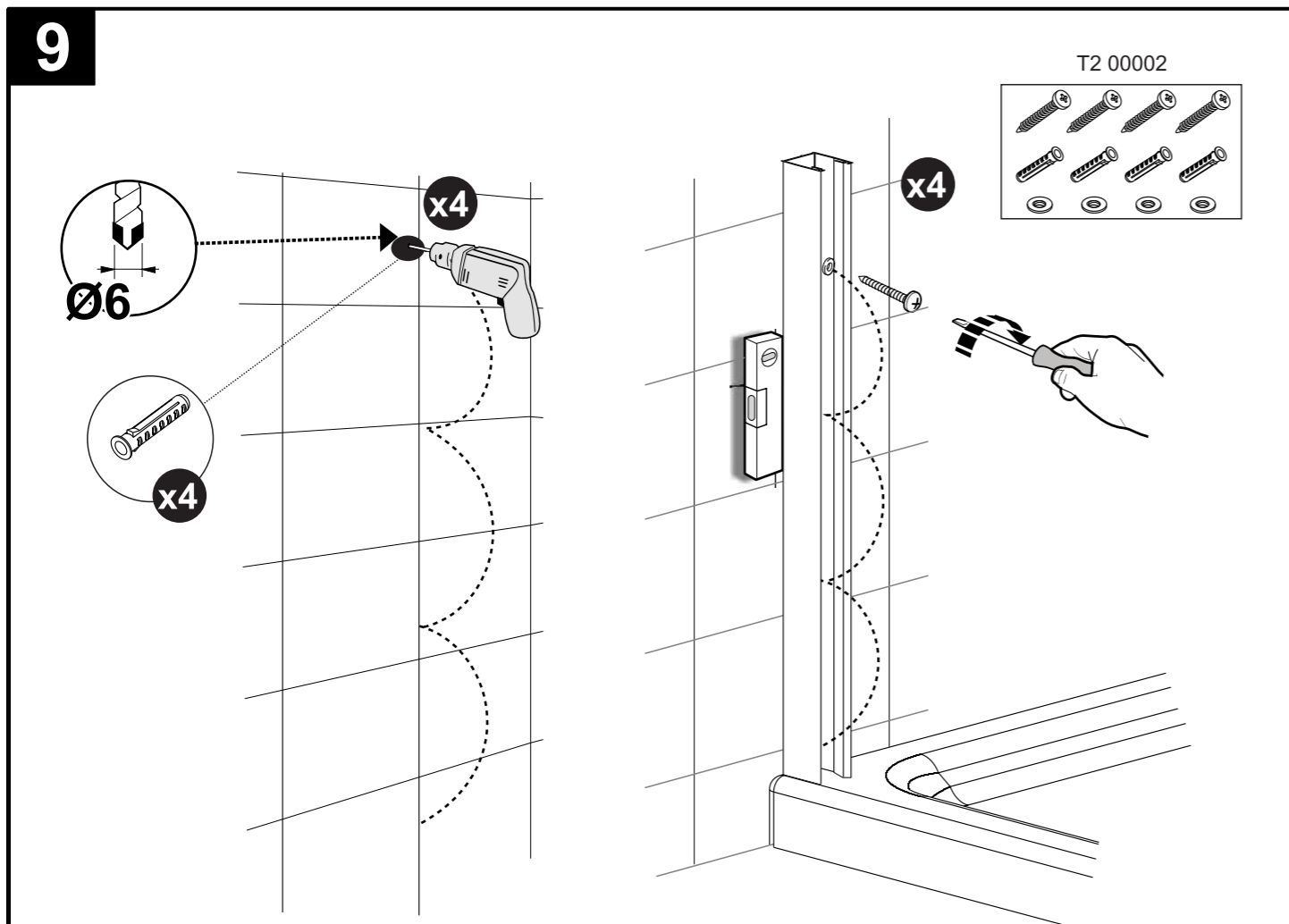
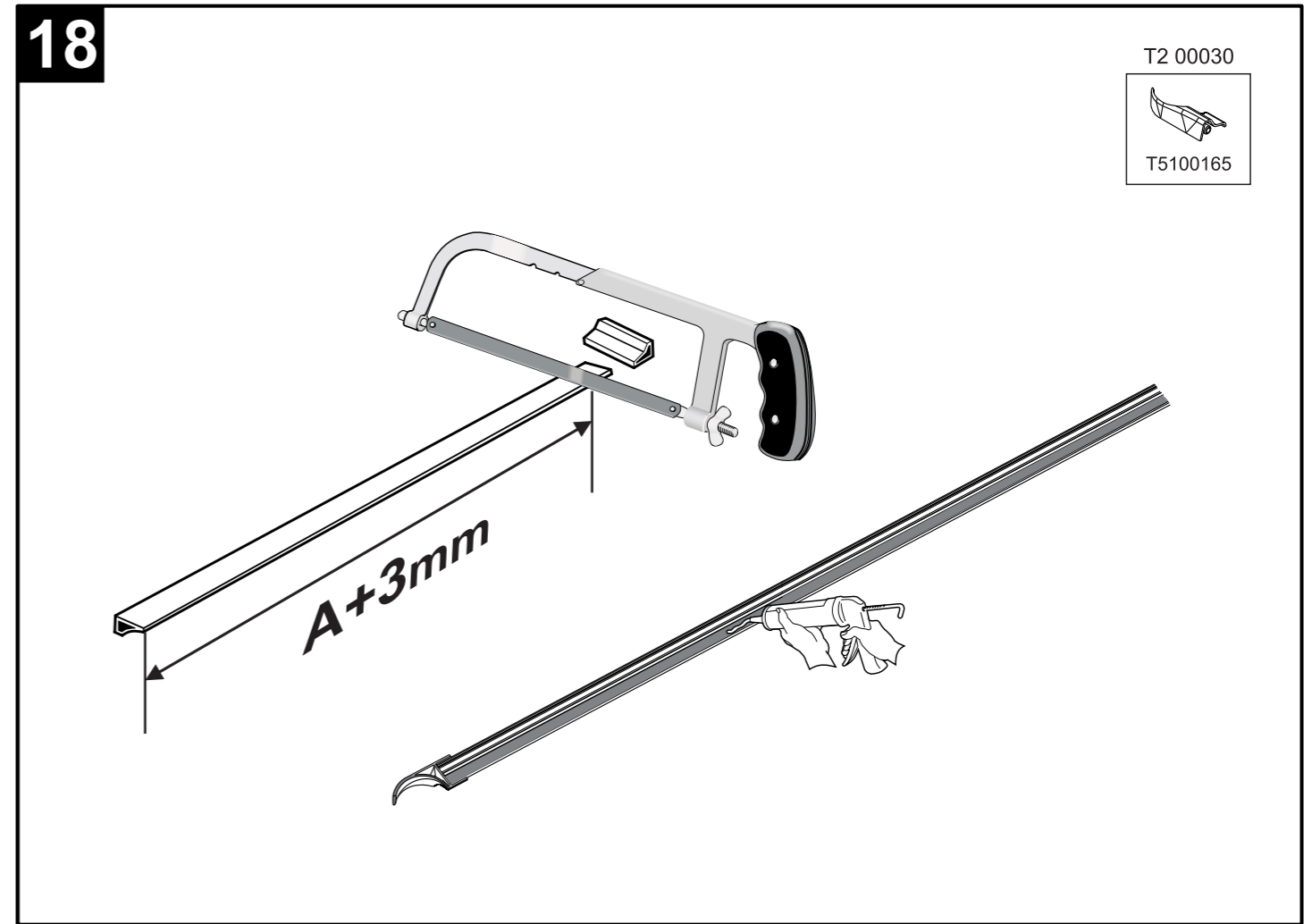
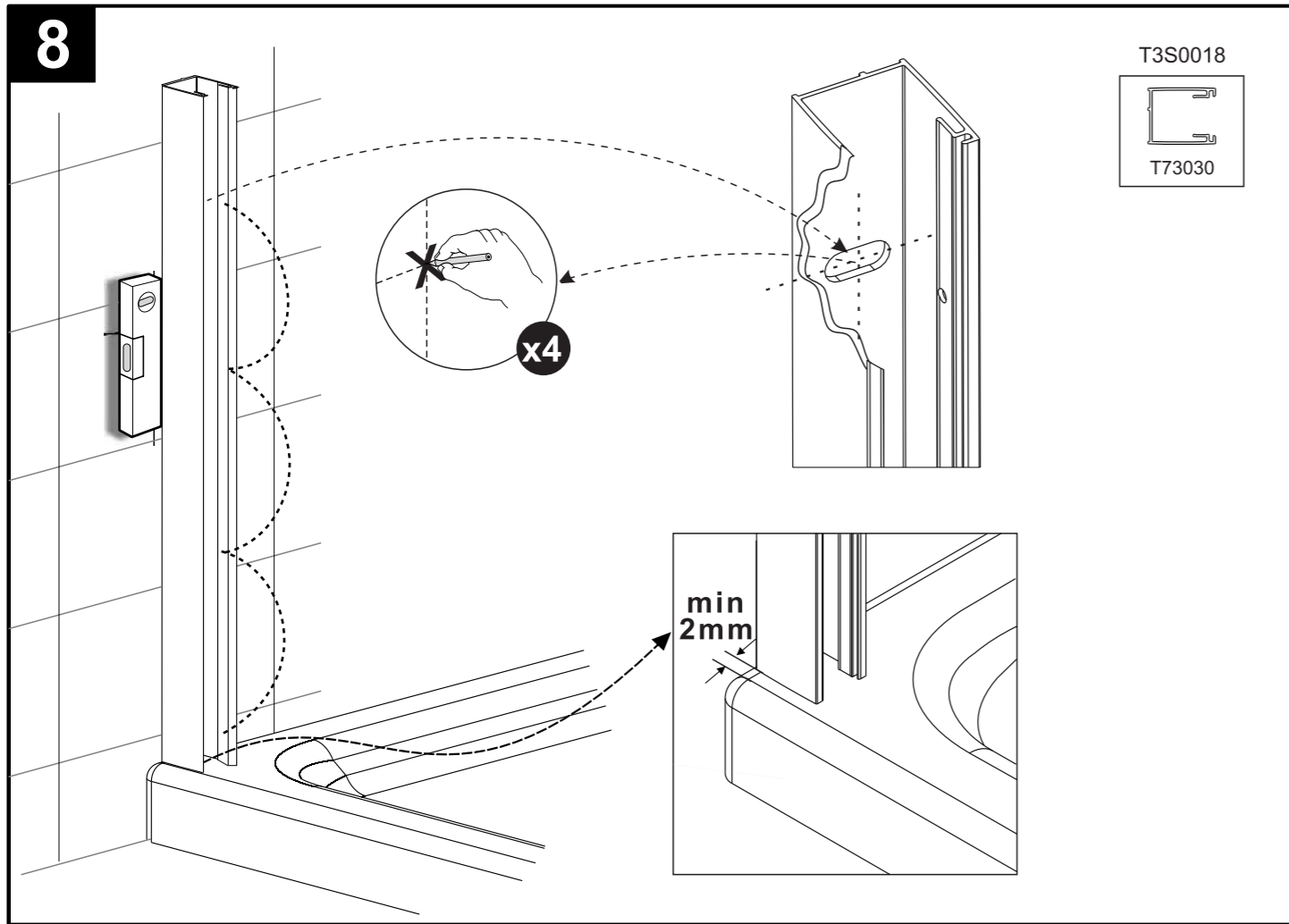


T3S0028



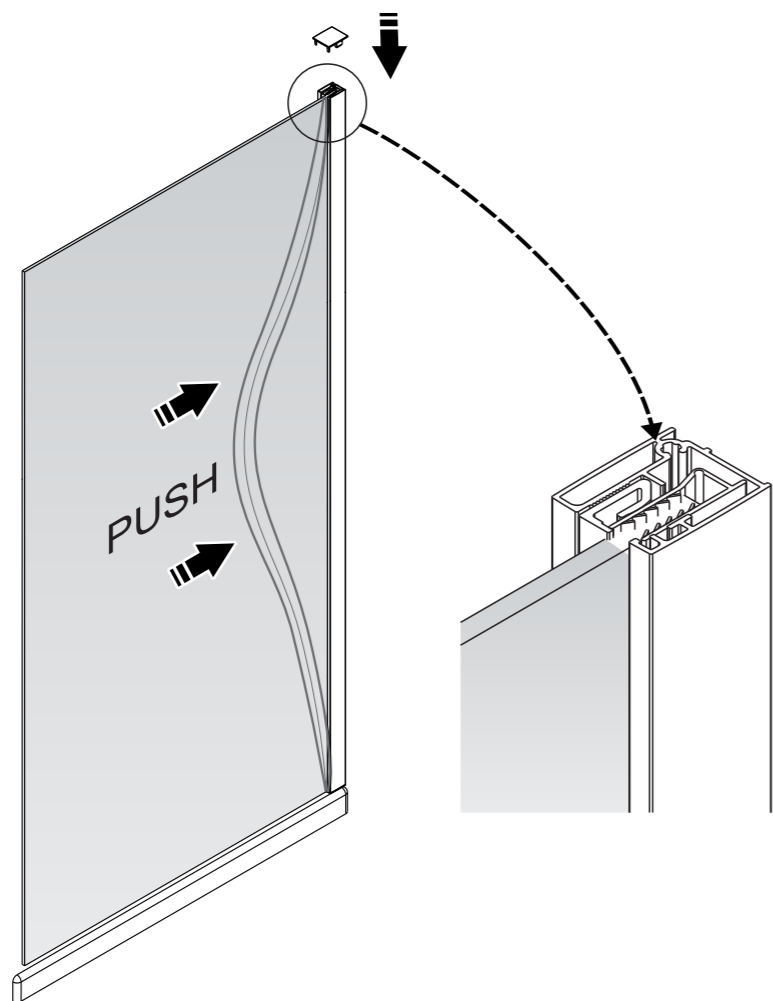
T3S0018







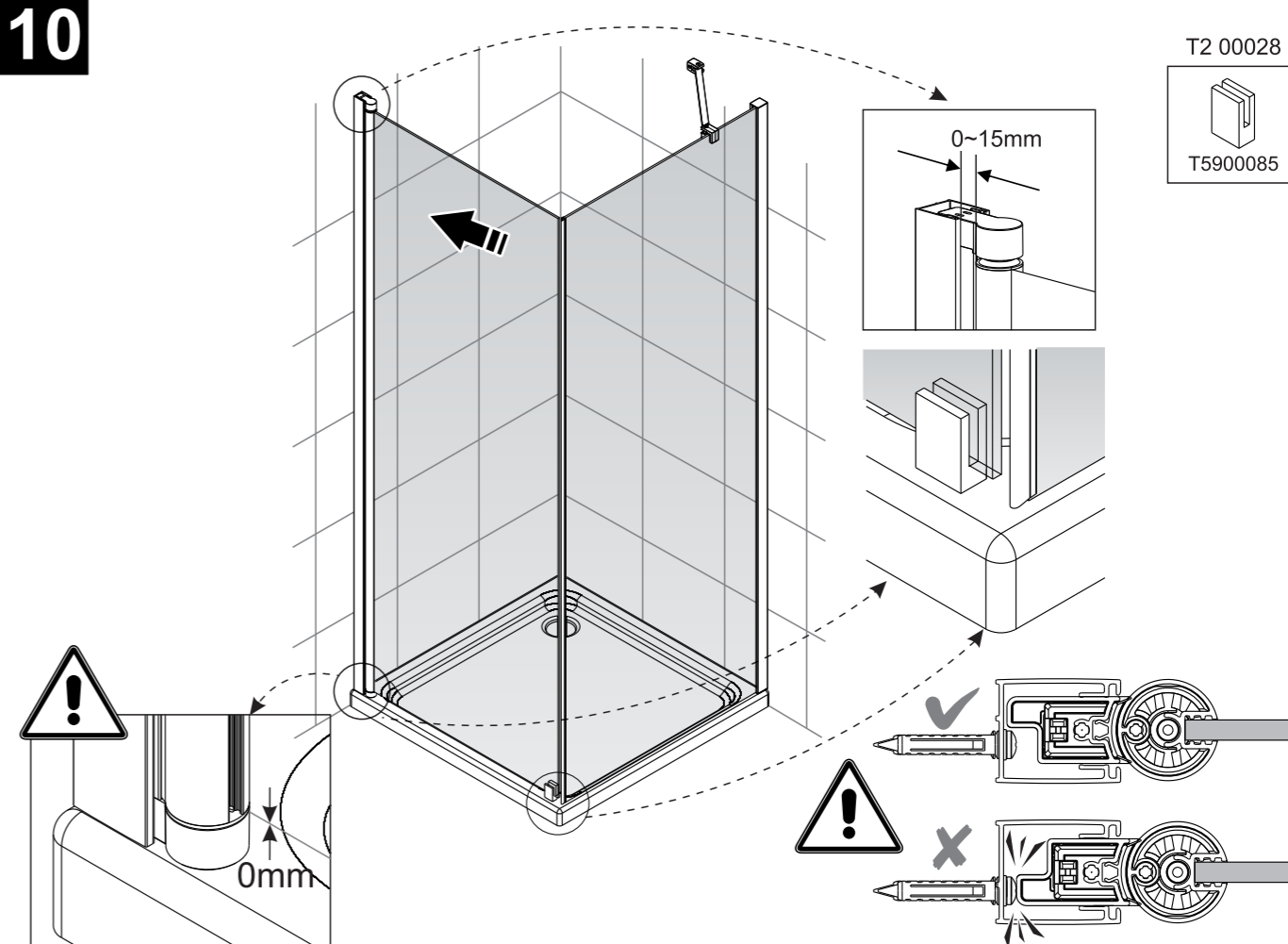
16



T3S0042



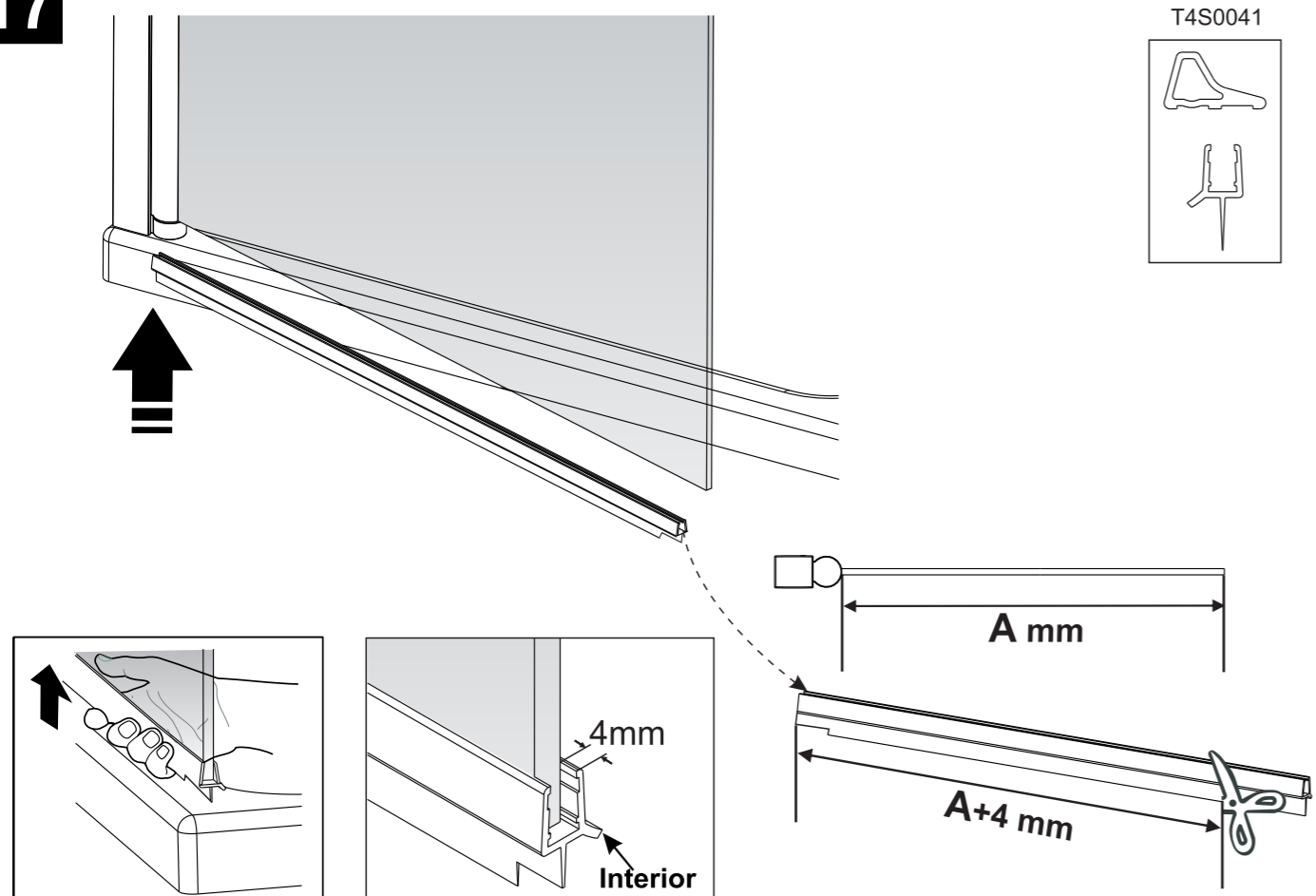
10



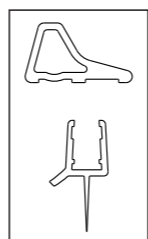
T2 00028



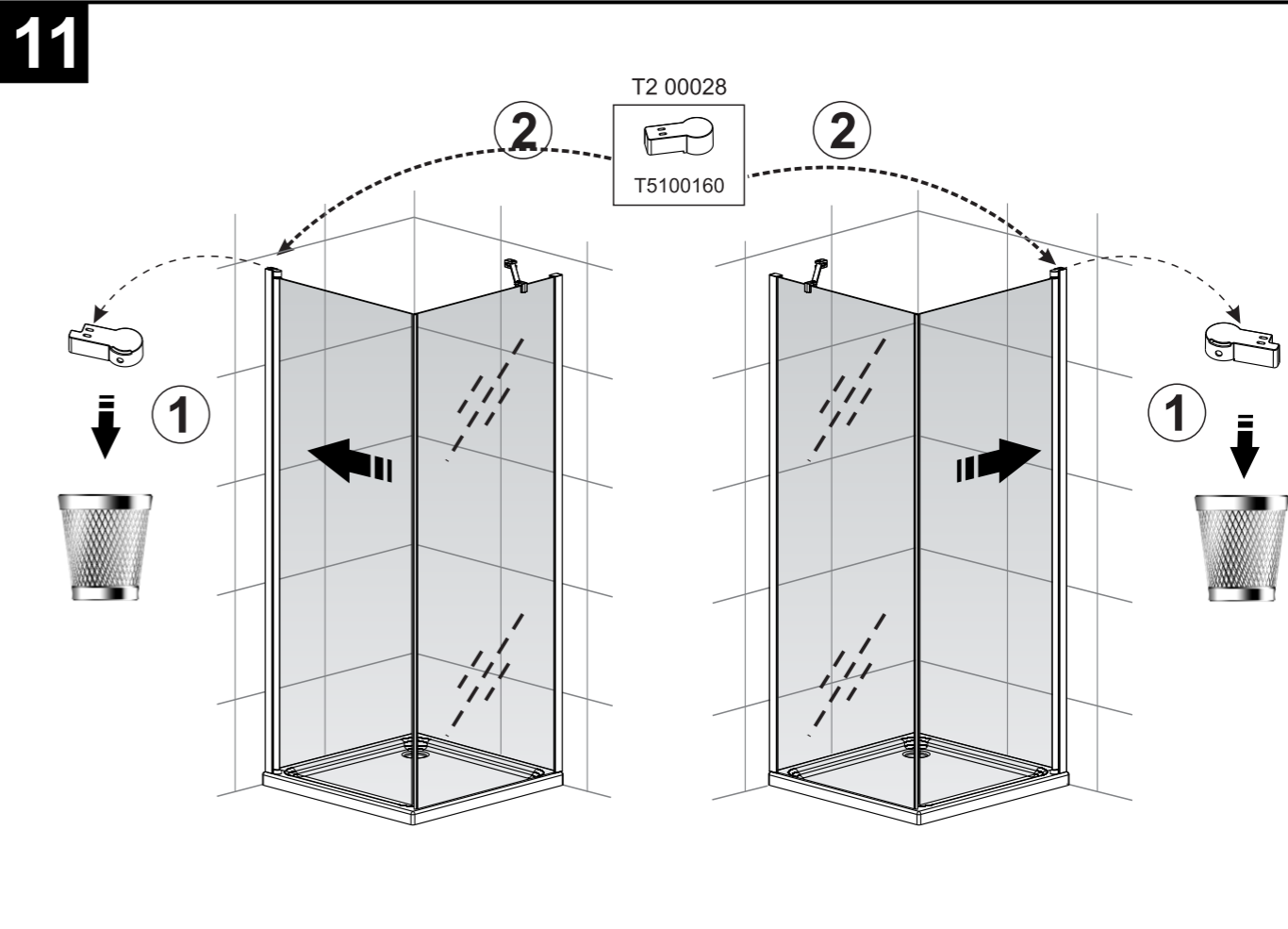
17



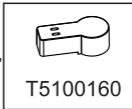
T4S0041



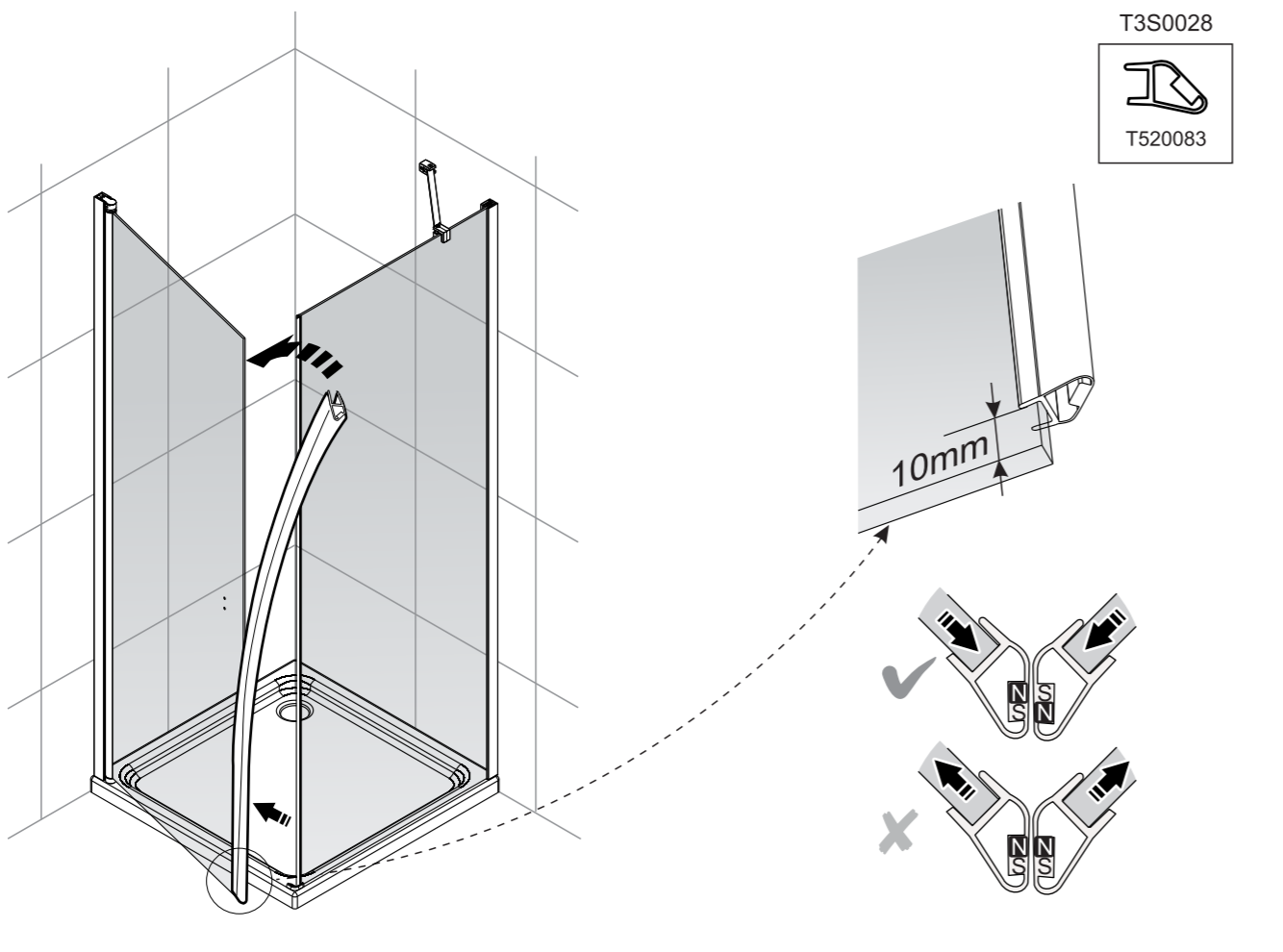
11



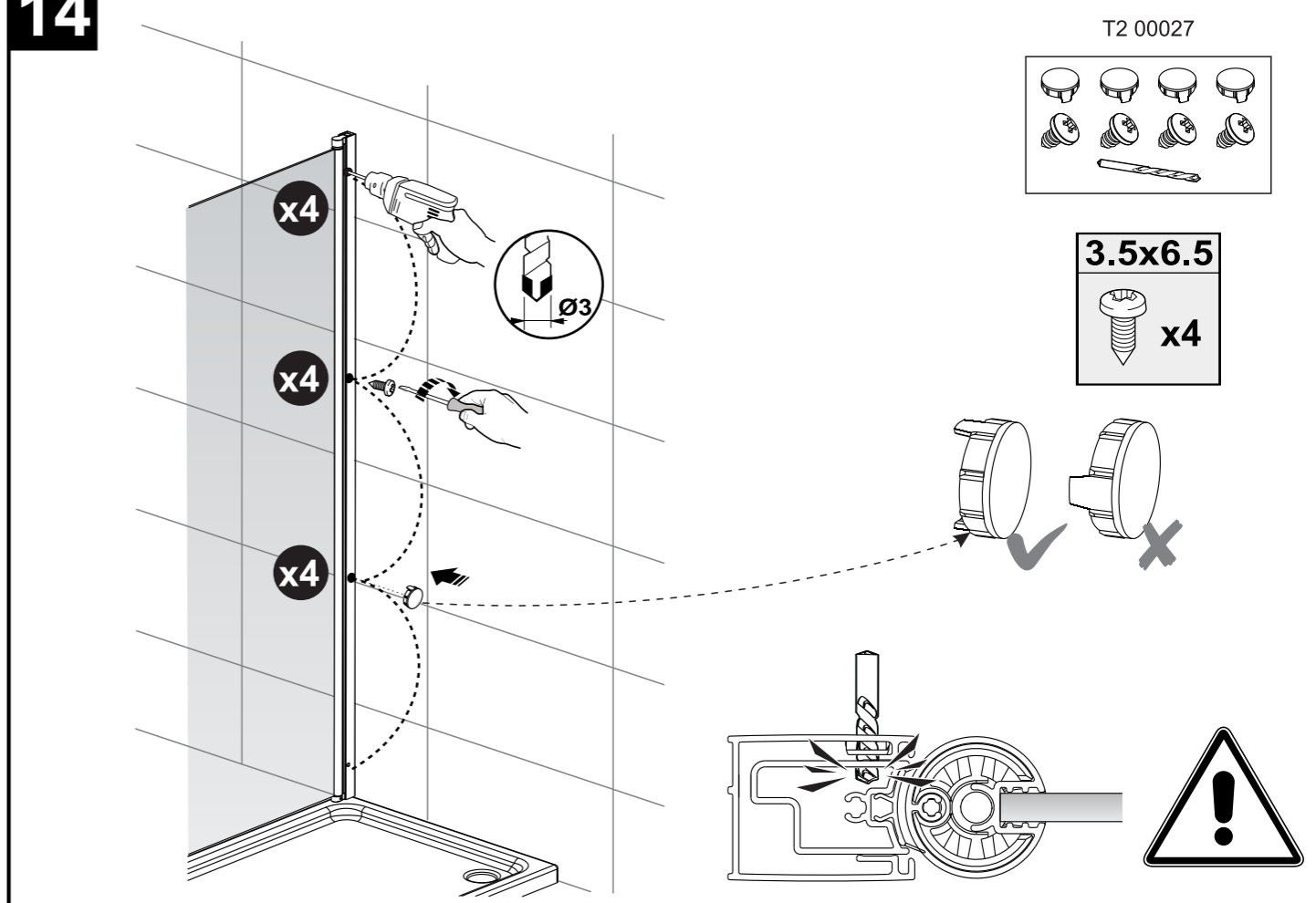
T2 00028



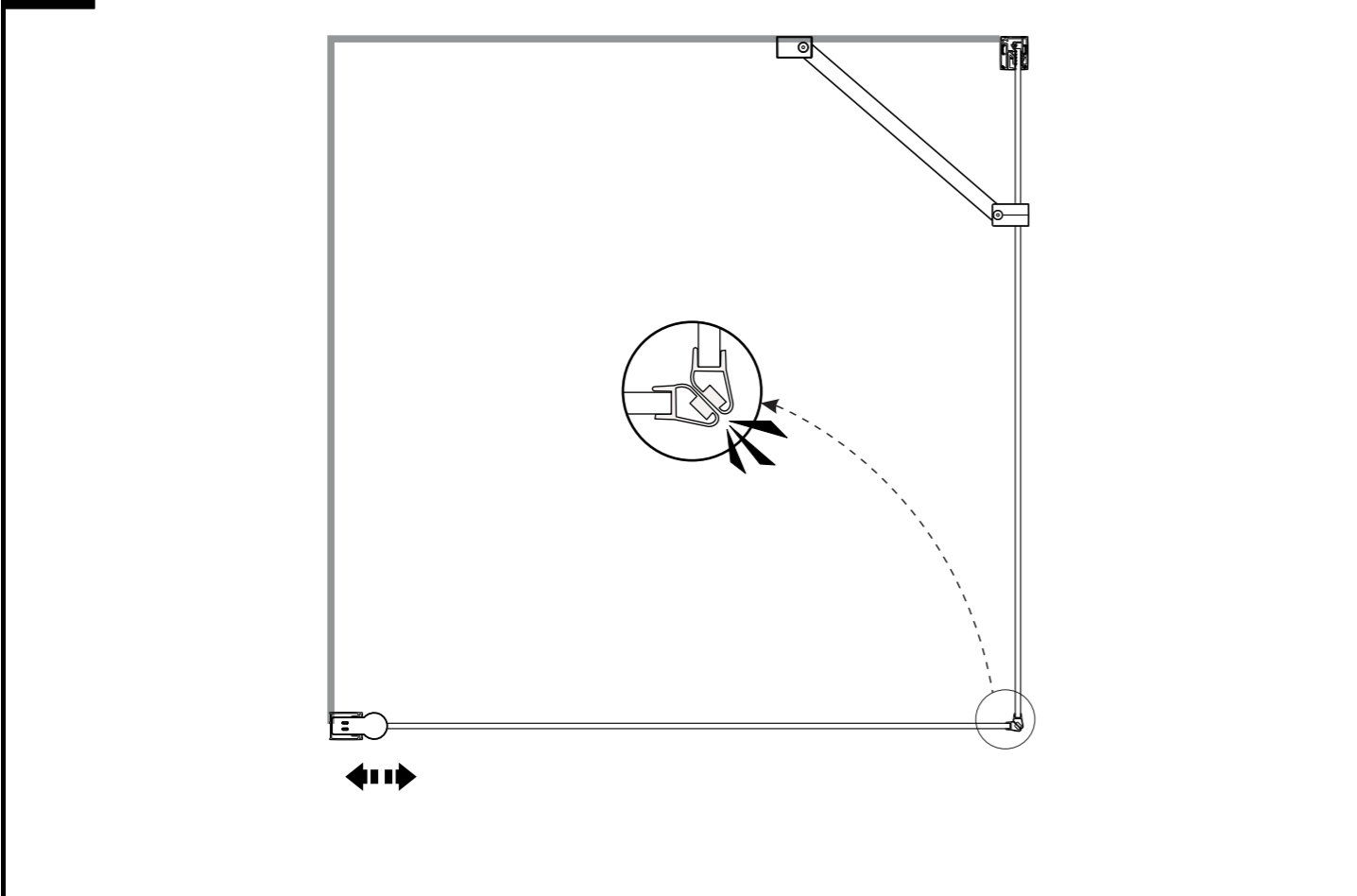
12



14



13



15

